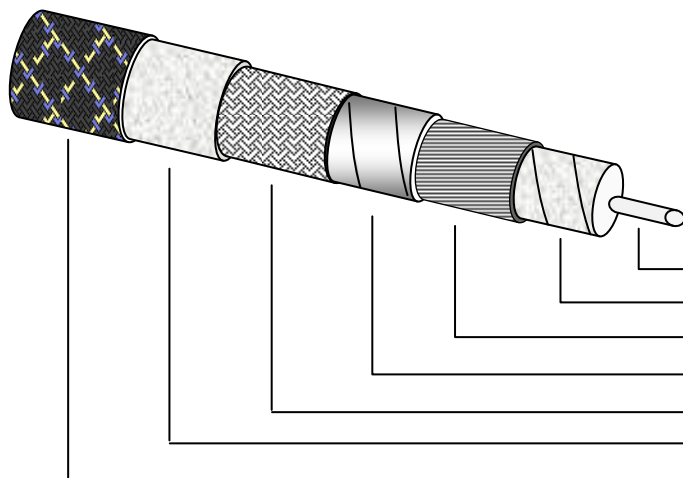




TIMES MICROWAVE SYSTEMS



Center Conductor	Silver Plated Copper Clad Aluminum
Dielectric	Microporous PTFE
Shield	Silver Plated Copper
Interlayer	Metalized Polyester Tape
Outer Braid	Composite Braid Structure
Jacket	Fluoropolymer
Abrasion Jacket	Black Nomex w/Tracer

Mechanical Characteristics

Diameter: 0.345" maximum
 Minimum Bend Radius (dynamic) 1.750" nominal
 Operating Temperature -65⁰ to +150⁰C
 Weight 68.0-lbs/1000 ft

Electrical Characteristics

Characteristic Impedance 50 Ohms nominal
 Velocity of Propagation 81% nominal
 Shielding -90 dB minimum (0.5-18 GHz)
 Insertion Loss 0.215 dB/Ft @ 18.5 GHz
 IL = 0.1414 x √ Freq* + 0.00014 x Freq* (*MHz) dB/100ft

High Performance RF cable AA-9397	Date: 1/6/2012 Revision: -B	TIMES MICROWAVE SYSTEMS Wallingford, CT. 06492-5039 CAGE 68999
www.timesmicrowave.com		MTL330

This document contains Times Microwave Systems proprietary information. It shall not be duplicated, used or disclosed in whole or in part to third parties without written authorization from Times Microwave Systems. This technical data is considered ITAR and/or EAR controlled pursuant to 22 CFR Part 120-130 and 15 CFR Parts 730-774 respectively. Transfer of this data by any means to a non-U.S. Person, whether in the United States or abroad, without the proper U.S. Government authorization (e.g., License, exemption, NLR, etc.), is strictly prohibited.