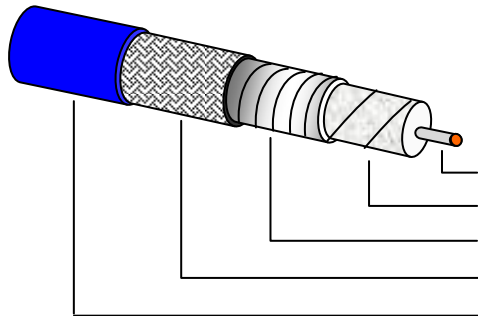




**TIMES MICROWAVE SYSTEMS**



Center Conductor	.0883"	Silver Plated Copper
Dielectric	.241"	Expanded PTFE
Inner Shield	.255"	Helical Foil
Outer Braid	.273"	Silver Plated Copper Braid
Jacket	.301"	Blue FEP

**Mechanical Characteristics**

Inside Minimum Bend Radius      1.50" nominal  
 Max Operating Temperature      -55<sup>0</sup> to +150<sup>0</sup>C  
 Weight      90.0-lbs/1000 ft

**Electrical Characteristics**

Characteristic Impedance:      50 Ohms nominal  
 Velocity of Propagation:      82% nominal  
 Capacitance:      25 pf/ft nominal  
 Shielding:      -90 dB minimum  
 Insertion Loss:  
 To calculate Insertion Loss for other Frequencies Use:  
 IL = .13896 x √ Freq\*+0.0001340 x Freq>(\*MHz) dB/100ft

Frequency MHz	Attenuation dB/100 ft	CW Power (kW) +25°C Ambient Sea Level
50	1.0	13.87
100	1.4	9.79
500	3.2	4.33
1000	4.5	3.04
2000	6.5	2.13
4000	9.3	1.48
6000	11.6	1.20
6500	12.1	1.15
10000	15.2	0.91
12000	16.8	0.83
16000	19.7	0.71
18000	21.0	0.66

Drawn by: E Pallanti Date: December 16, 2014 51909	<b>TIMES MICROWAVE SYSTEMS</b> Wallingford, CT. 06492-5039 CAGE 68999; (203) 949-8400
<b>HF-290</b>	Drawing No.: <b>AA-9186</b>
<a href="http://www.timesmicrowave.com">www.timesmicrowave.com</a>	Rev -C      February 29, 2016      Pg 1 of 1