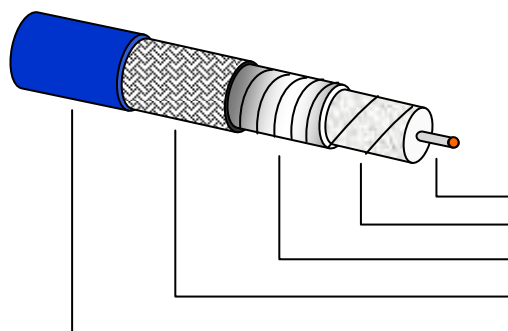




TIMES MICROWAVE SYSTEMS



Center Conductor	0.0359"	Silver Plated Copper
Dielectric	0.105"	Microporus PTFE
Shield	0.112"	Silver Plated Copper
Outer Braid	0.130"	Silver plated Copper
Jacket	0.150"	Blue FEP

Mechanical Characteristics

Diameter: 0.154" maximum
 Minimum Bend Radius (Static) 0.75" (centerline)
 Operating Temperature -55⁰ to +150⁰C
 Weight 25.0-lbs/1000 ft

Electrical Characteristics

Characteristic Impedance 50 Ohms nominal
 Velocity of Propagation 77% nominal
 Capacitance 25.4 pf/ft nominal
 Delay 1.34 nsec/ft nominal
 Shielding -90 dB minimum
 Insertion Loss 0.78 dB/Ft @ 40 GHz
 IL = 0.353 x √ Freq* + 0.00011829 x Freq* (*MHz)

<p>High Performance RF cable HF160 510-0101</p>	<p>Date: August 23, 2016 Revision: --B</p>	<p>TIMES MICROWAVE SYSTEMS Wallingford, CT. 06492-5039 CAGE 68999</p>
<p>www.timesmicrowave.com</p>	<p>Unless specified all dimensions in inches.</p>	<p>AA-11594</p>

This document contains Times Microwave Systems proprietary information. It shall not be duplicated, used or disclosed in whole or in part to third parties without written authorization from Times Microwave Systems. This technical data is considered ITAR and/or EAR controlled pursuant to 22 CFR Part 120-130 and 15 CFR Parts 730-774 respectively. Transfer of this data by any means to a non-U.S. Person, whether in the United States or abroad, without the proper U.S. Government authorization (e.g., License, exemption, NLR, etc.), is strictly prohibited.